



Product name:
**ANTI-GLARE SCREEN FOR
ROADS**

**TECHNICAL
DATA SHEET**



COMERCIAL BRAND: Anti-Glare Screen for Roads

TYPE (MODEL): DEP-L600; DEP-L900; DEP-1200

CONSTRUCTION MATERIAL:

light-absorbing element (cover): HDPE - Polyethylene with dye and UV stabilizer
support - closed steel profile 45x45x2 [mm];
fixing element - closed steel profile 50x50x2 [mm]

COATING:

All the metal elements forming part of the Anti-Glare Screen are covered with a zinc coating located by fire. Method of application and quality of zinc coating meets the requirements of ISO 1459 and ISO1461.

COLOR: green (khaki)

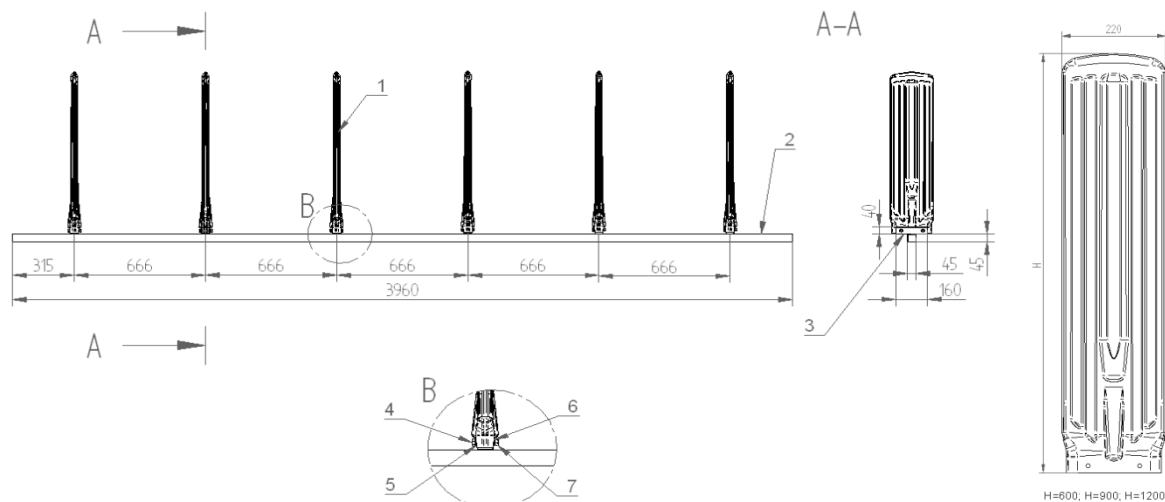
DESTINATION:

Anti-Glare Screen for Roads is used to prevent before glare for oncoming vehicles from the opposite direction. Used on dual carriageways (motorways) or parallel roads, mounted on the protective barriers.

THE PRODUCT IS CE MARKING.

TECHNICAL DESCRIPTION:

Module of Anti-Glare Screen for Roads



- | | |
|------------------|-----------------------|
| 1 Cover | 5 Standard washer f10 |
| 2 Support | 6 Spring washer f10 |
| 3 Fixing element | 7 Nut M10 |
| 4 Screw M10x80 | |

Anti-Glare Screen for Roads are built with the modules, each with a length of 3.96 m.