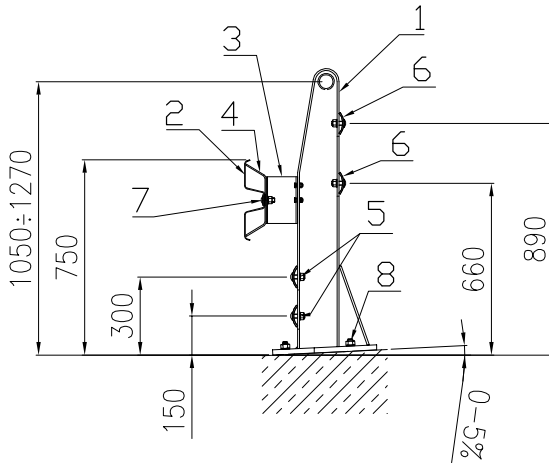


# Bridge safety barrier BSP-160/1.33



## List of elements:

1. BSP-160 Bridge post
2. Guardrail, type B
3. Spacer C120
4. Bracket, type B
5. Shaped belt
6. Shaped belt
7. Washer M16
8. Anchorage